

2017

Sinatra Living: Solar Decathlon 2017 Team Las Vegas Slide

University of Nevada, Las Vegas. Solar Decathlon Team.

Follow this and additional works at: https://digitalscholarship.unlv.edu/sd_2017_competition

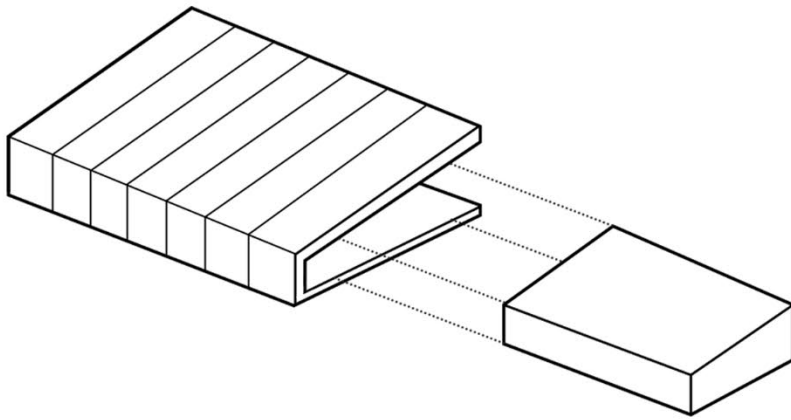
 Part of the [Environmental Design Commons](#), and the [Sustainability Commons](#)

Repository Citation

University of Nevada, Las Vegas Solar Decathlon Records, 2013-2017. UA-00075. Special Collections and Archives, University Libraries, University of Nevada, Las Vegas. Las Vegas, Nevada.

This Presentation is protected by copyright and/or related rights. It has been brought to you by Digital Scholarship@UNLV with permission from the rights-holder(s). You are free to use this Presentation in any way that is permitted by the copyright and related rights legislation that applies to your use. For other uses you need to obtain permission from the rights-holder(s) directly, unless additional rights are indicated by a Creative Commons license in the record and/or on the work itself.

This Presentation has been accepted for inclusion in Sinatra Living: Competition Materials by an authorized administrator of Digital Scholarship@UNLV. For more information, please contact digitalscholarship@unlv.edu.



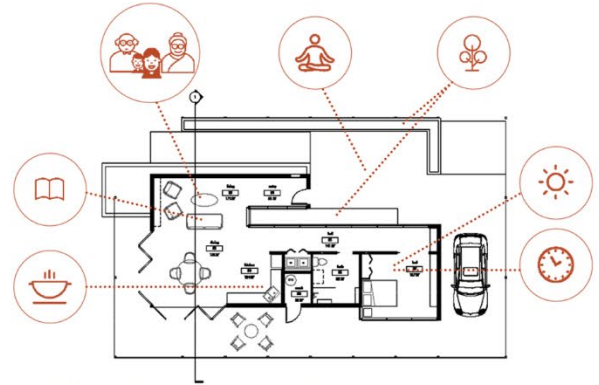
Team Las Vegas

UNLV

University of Nevada Las Vegas
 Solar Decathlon 2017
 PI - David E. James, PhD. PE F.NSPE

“An age-in-place home for todays world.”

Following in the footsteps of their predecessors success in the 2013 competition, a diverse group of students and faculty from the University of Nevada Las Vegas return to the U.S. Department of Energy’s Solar Decathlon 2017 as Team Las Vegas.



Innovative Design for the Mojave Desert

- Energy Efficient
- Water Conservation
- Passive Ventilation
- Optimized for both winter and summer

Independent Living Senior Living

- Orientation
- Security
- Independence
- Social Interaction
- Stimulation
- Integrated Bio-informatic systems
- Remote Monitoring

