

2017

Sinatra Living: Form Diagram

University of Nevada, Las Vegas. Solar Decathlon Team.

Follow this and additional works at: https://digitalscholarship.unlv.edu/sd_2017_design



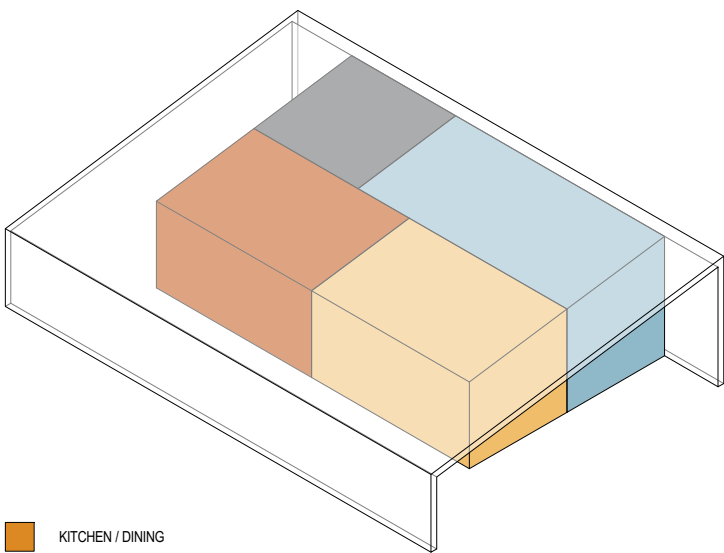
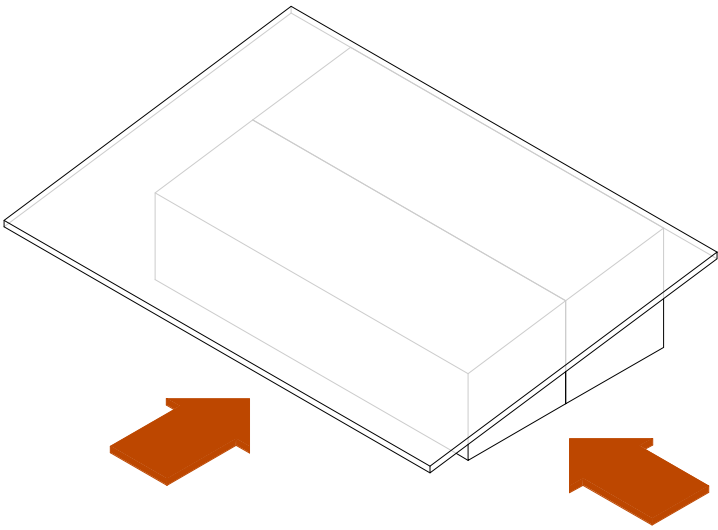
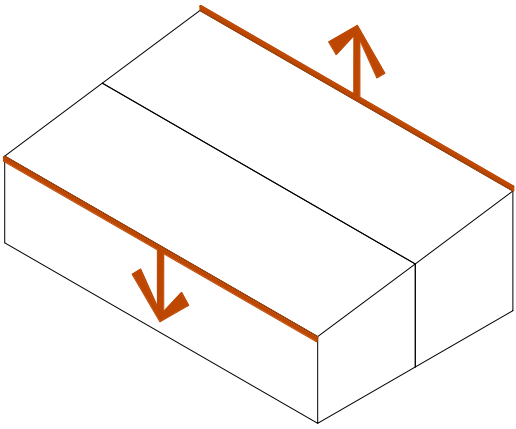
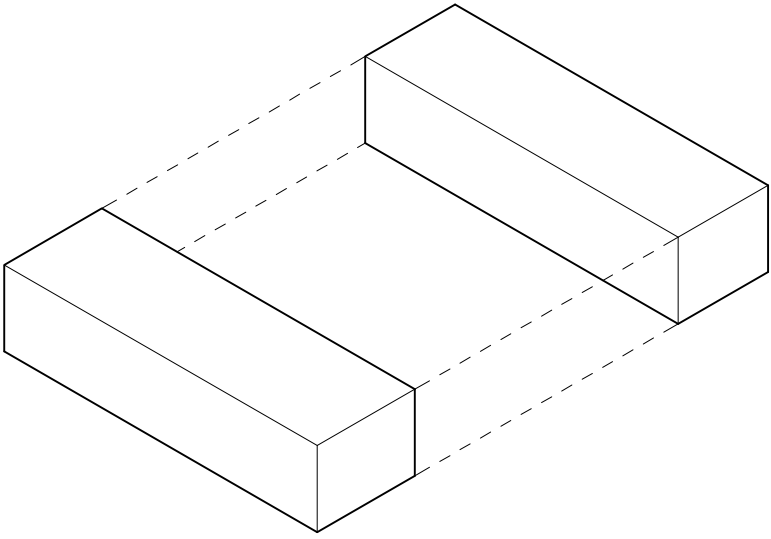
Part of the [Environmental Design Commons](#), and the [Sustainability Commons](#)

Repository Citation

University of Nevada, Las Vegas Solar Decathlon Records, 2013-2017. UA-00075. Special Collections and Archives, University Libraries, University of Nevada, Las Vegas. Las Vegas, Nevada.

This Project is protected by copyright and/or related rights. It has been brought to you by Digital Scholarship@UNLV with permission from the rights-holder(s). You are free to use this Project in any way that is permitted by the copyright and related rights legislation that applies to your use. For other uses you need to obtain permission from the rights-holder(s) directly, unless additional rights are indicated by a Creative Commons license in the record and/or on the work itself.

This Project has been accepted for inclusion in Sinatra Living: Planning and Design by an authorized administrator of Digital Scholarship@UNLV. For more information, please contact digitalscholarship@unlv.edu.



-  KITCHEN / DINING
-  SOCIAL SPACE
-  BEDROOM / OFFICE
-  BATHROOM