

1995

Modeling, Analysis and Control of Fuzzy Systems

Pushkin Kachroo

University of Nevada, Las Vegas, pushkin@unlv.edu

Follow this and additional works at: https://digitalscholarship.unlv.edu/ece_fac_articles

Repository Citation

Kachroo, P. (1995). Modeling, Analysis and Control of Fuzzy Systems. *1995 IEEE International Conference on Systems, Man and Cybernetics*, 3 2046-2051. Institute of Electrical and Electronics Engineers.
https://digitalscholarship.unlv.edu/ece_fac_articles/112

This Conference Proceeding is brought to you for free and open access by the Electrical & Computer Engineering at Digital Scholarship@UNLV. It has been accepted for inclusion in Electrical and Computer Engineering Faculty Publications by an authorized administrator of Digital Scholarship@UNLV. For more information, please contact digitalscholarship@unlv.edu.

Modeling, Analysis and Control of Fuzzy Systems

Pushkin Kachroo
Center for Transportation Research
Virginia Polytechnic Institute and State University
Blacksburg, VA 24061-0536

Abstract

For the development of the field of fuzzy control systems, techniques for modeling fuzzy systems need to be developed, which makes analysis of the system and the design of control laws systematic. In this paper, a new model of fuzzy systems is proposed which is a variation of "Tagaki and Sugeno's fuzzy model". Analysis of this model in terms of stability, controllability, observability etc. is much simpler. It also makes model-based control design easier, while retaining the derivations of connections of fuzzy blocks for piecewise continuous polynomial membership functions. Although the model is easier to analyze, it can represent highly nonlinear dynamics.

1. Introduction

Fuzzy logic can be used effectively to deal with uncertainty in decision making processes. Fuzzy control is based on the fuzzy set theory proposed by Zadeh [1], [2] and [3]. There are three major ways to design fuzzy controllers. In the first method, the controller tries to emulate a human-like control action by transforming linguistic terms into fuzzy variables [4-7]. The second method is to develop heuristic based fuzzy controllers. In the third method, the plant is represented as a fuzzy system and a control is designed by analyzing the fuzzy model.

There are many ways of modeling a fuzzy system [8-13]. In this paper, a variation of the model described in [9] is proposed which makes stability analysis and design of fuzzy

control systems simpler. The analysis and design using the model of [9] is detailed in [13].

This paper describes the new model, explains how the fuzzy block structure [13], needed as an important building block for fuzzy systems control theory, is preserved and shows the simplicity of system analysis and control design.

2. Fuzzy Modeling

A fuzzy model of a dynamic process is written in terms of fuzzy implications. Keeping the same notation as [13], the model is described by:

$$\begin{aligned} L^i : & \text{ If } x(k) \text{ is } A_1^i, \dots, x(k-n+1) \text{ is } A_n^i \text{ and} \\ & u(k) \text{ is } B_1^i, \dots, u(k-m+1) \text{ is } B_m^i \\ \text{then } & x^i(k+1) = a_0^i + a_1^i x(k) + \\ & \dots + b_1^i u(k-n+1) + \dots + b_m^i u(k-m+1) \end{aligned} \quad (1)$$

Here, L^i refers to the i th implication ($i = 1, \dots, p$); p is the number of implications; $x(k) \dots x(k-n+1)$ are state variables; $u(k), \dots, u(k-m+1)$ are input variables; $A_j^i (j=1, \dots, n)$ and $B_q^i (q=1, \dots, m)$ are fuzzy sets with piecewise continuous polynomial membership functions (see [13] for details); $a_j^i (j=0, \dots, n)$ and $b_q^i (q=1, \dots, m)$ are constant real parameters.

$$\text{The output of the fuzzy model is given by} \\ x(k+1) = x^r(k+1) \quad (2)$$

$$\text{where } r = \max_i w^i \quad (3)$$

The weight w^i is given by

$$w^i = \prod_{j=1}^n A_j^i(x(k-j+1)) \prod_{q=1}^m B_q^i(u(k-q+1)) \quad (4)$$

In matrix form Eq.(1) can be represented as

$$L^i : \text{If } \mathbf{x}(k) \text{ is } \mathbf{J}^i \text{ and } \mathbf{u}(k) \text{ is } \mathbf{Q}^i$$

$$\text{then } x^i(k+1) = a_0^i + \mathbf{A}_i \mathbf{x}(k) + \mathbf{B}_i \mathbf{u}(k) \quad (5)$$

where, $\mathbf{x}(k) = [x(k) \dots x(k-n+1)]^T$,

$$\mathbf{u}(k) = [u(k) \dots u(k-m+1)]^T, \mathbf{J}^i = [A_1^i \dots A_n^i]^T,$$

$$\mathbf{Q}^i = [B_1^i \dots B_m^i]^T, \mathbf{A}_i = [a_1^i \dots a_n^i] \text{ and}$$

$$\mathbf{B}_i = [b_1^i \dots b_m^i].$$

Although the implication equations are linear, the overall system, composed of all the implications can get highly nonlinear.

Example Let us define membership functions A_1^1 and B_1^1 as shown in Fig.1. A fuzzy implication L^1 could be as follows:

If $x(k)$ is A_1^1 and $u(k)$ is B_1^1 then

$$x(k+1) = 0.2 + 0.5x(k) + 0.75u(k)$$

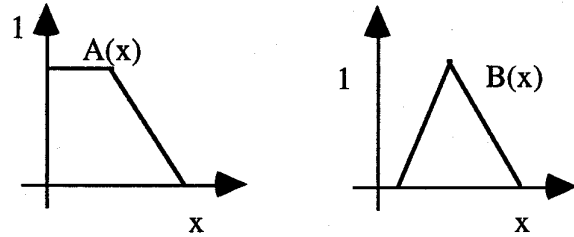


Fig. 1. Membership functions

3. Fuzzy Block Manipulations

A fuzzy block represents a fuzzy input-output relationship of Eq.(1) and can be shown as a block diagram like in Fig.2 [13]. The two important properties of fuzzy blocks are:

- (1) The implication equations are linear and
- (2) the membership functions of implications are piecewise continuous polynomial functions.

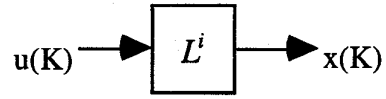
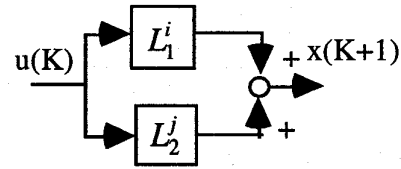


Fig. 2. A fuzzy block

There are two types of fuzzy block connections defined: feedforward as shown in Fig.3 or feedback as shown in Fig. 4. The implications resulting from these connections are described next.

3.1 Feedforward Connection



or

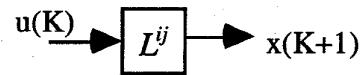


Fig. 3 Feedforward Connection

If L_1^i and L_2^j blocks for a feedforward connection are defined as follows:

$$L_1^i : \text{If } \mathbf{x}(k) \text{ is } \mathbf{P}^i \text{ and } \mathbf{u}(k) \text{ is } \mathbf{Q}^i$$

$$\text{then } x^i(k+1) = a_0^i + \mathbf{A}_i \mathbf{x}(k) + \mathbf{B}_i \mathbf{u}(k) \quad (6)$$

$$L_2^j : \text{If } \mathbf{x}(k) \text{ is } \mathbf{M}^j \text{ and } \mathbf{u}(k) \text{ is } \mathbf{N}^j$$

$$\text{then } x^j(k+1) = c_0^j + \mathbf{C}_j \mathbf{x}(k) + \mathbf{D}_j \mathbf{u}(k) \quad (7)$$

where $i = 1, \dots, l_1, j = 1, \dots, l_2$,

$$\mathbf{x}(k) = [x(k) \dots x(k-n+1)]^T,$$

$$\mathbf{u}(k) = [u(k) \dots u(k-m+1)]^T, \mathbf{P}^i = [A_1^i \dots A_n^i]^T,$$

$$\mathbf{Q}^i = [B_1^i \dots B_m^i]^T, \mathbf{A}_i = [a_1^i \dots a_n^i], \mathbf{B}_i = [b_1^i \dots b_m^i],$$

$$\mathbf{M}^j = [C_1^j \dots C_n^j]^T, \mathbf{N}^j = [D_1^j \dots D_m^j]^T,$$

$$\mathbf{C}_j = [c_1^j \dots c_n^j] \text{ and } \mathbf{D}_j = [d_1^j \dots d_m^j] \quad (8)$$

then the implications of the equivalent block are given by:

$$L^{ij} : \text{If } \mathbf{x}(k) \text{ is } (\mathbf{P}^i \text{ and } \mathbf{M}^j) \text{ and } \mathbf{u}(k) \text{ is } (\mathbf{Q}^i \text{ and } \mathbf{N}^j)$$

$$\text{then } x^{ij}(k+1) = (a_0^i + c_0^j) + (\mathbf{A}_i + \mathbf{C}_j) \mathbf{x}(k) + (\mathbf{B}_i + \mathbf{D}_j) \mathbf{u}(k) \quad (9)$$

where the operation "and" implies point by

point multiplication of corresponding membership functions. Note that the multiplication of two or more piecewise continuous polynomial functions results in a piecewise continuous polynomial function.

Proof: Let the weights of L^i and L^j systems be w^i and v^j , respectively. The output from the L^i system is $x_1(k+1)$ and the output from the L^j system is $x_2(k+1)$.

$$x_1(k+1) = a_0^q + A_q x(k) + B_q u(k)$$

where $q = \max_i w^i$

$$x_2(k+1) = a_0^r + A_r x(k) + B_r u(k)$$

where $r = \max_j v^j$

$$\begin{aligned} x(k+1) &= x_1(k+1) + x_2(k+1) \\ x(k+1) &= (a_0^q + c_0^r) + (A_q + C_r)x(k) \\ &\quad + (B_q + D_r)u(k) \end{aligned}$$

This is equivalent to Eq.(9), because the maximum weight of the combined system is $w^q v^r$.

3.2 Feedback Connection

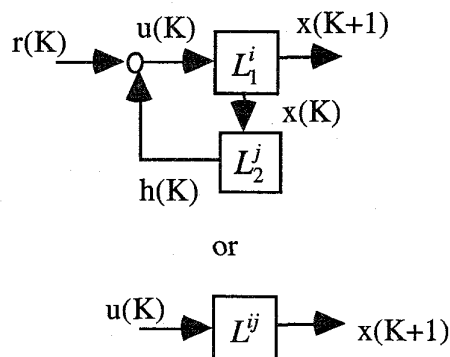


Fig. 4 Feedback Connection

If L_1^i and L_2^j blocks for a feedback connection are defined as follows:

$$\begin{aligned} L_1^i : & \text{ If } \mathbf{x}(k) \text{ is } \mathbf{P}^i \text{ and } \mathbf{u}(k) \text{ is } \mathbf{Q}^i \\ \text{then } x^i(k+1) &= a_0^i + A_i x(k) + B_i u(k) \end{aligned} \quad (10)$$

$$\begin{aligned} L_2^j : & \text{ If } \mathbf{x}(k) \text{ is } \mathbf{M}^j \text{ and } \mathbf{u}(k) \text{ is } \mathbf{N}^j \\ \text{then } h^j(k) &= c_0^j + C_j x(k) \end{aligned} \quad (11)$$

where $i = 1, \dots, l_1$, $j = 1, \dots, l_2$, $r(k)$ is the reference input, $u(k) = r(k) - h(k)$, $\mathbf{x}(k) = [x(k) \dots x(k-n+1)]^T$,

$$\begin{aligned} \mathbf{u}(k) &= [u(k) \dots u(k-m+1)]^T, \mathbf{P}^i = [A_1^i \dots A_n^i]^T, \\ \mathbf{Q}^i &= [B_1^i \dots B_m^i]^T, \mathbf{A}_i = [a_1^i \dots a_n^i], \mathbf{B}_i = [b_1^i \dots b_m^i], \\ \mathbf{M}^j &= [C_1^j \dots C_n^j]^T, \mathbf{N}^j = [D_1^j \dots D_m^j]^T, \\ \mathbf{C}_j &= [c_1^j \dots c_n^j] \text{ and } \mathbf{D}_j = [d_1^j \dots d_m^j] \end{aligned} \quad (12)$$

then the implications of the equivalent block are given by:

$$L^{ij} : \text{ If } \mathbf{x}(k) \text{ is } (\mathbf{P}^i \text{ and } \mathbf{M}^j) \text{ and } \mathbf{v}(k) \text{ is } (\mathbf{Q}^i \text{ and } \mathbf{N}^j)$$

$$L^{ij} : \text{ If } \mathbf{x}(k) \text{ is } (\mathbf{P}^i \text{ and } \mathbf{M}^j) \text{ and } \mathbf{v}(k) \text{ is } (\mathbf{Q}^i \text{ and } \mathbf{N}^j) \\ \text{then } x^{ij}(k+1) = a_0^i + A_i x(k) + B_i v_j(k) \quad (13)$$

where $\mathbf{v}(k) = [r(k) - e(\mathbf{x}(k)), \dots, r(k-m+1) - e(\mathbf{x}(k-m+1))]^T$

and function $e(\mathbf{x}(k)) = h(k)$ is the input-output relation for the L^j block.

Proof: Let the weights of L^i and L^j systems be w^i and v^j , respectively. The output from the L^i system is $x(k+1)$ and the output from the L^j system is $h(k)$.

$$x(k+1) = a_0^q + A_q x(k) + B_q u(k)$$

where $q = \max_i w^i$

$$h(k) = c_0^r + C_r x(k)$$

where $r = \max_j v^j$

$$u(k) = r(k) - h(k)$$

which leads us to Eq.(13), because the maximum weight of the combined system is $w^q v^r$.

Derivation of $e(\cdot)$: Consider the feedback connection given by Eq.10-13. The final output of L^j block is given by

$$h(k) = c_0^r + C_r x(k) \quad (14)$$

$$\text{where } r = \max_j v^j \quad (15)$$

Now, v^j is $h(k)$ dependent and is given by

$$v^j = \prod_{p=1}^n C_p^j(x(k-p+1)) D_1^j(r(k)-h(k)) \prod_{q=2}^m D_q^i(r(k-q+1)-h(k-q+1)) \quad (16)$$

Since $D_1^j(r(k)-h(k))$ is a continuous piecewise polynomial function, Eq. 14-16 can be locally solved for $h(k)$ so that $h(k) = e(x(k))$. Notice that both the connections, feedforward and feedback, retain the two important fuzzy block properties.

The number of fuzzy implications for block connections can get very large, hence some model reduction schemes should be utilized. Some schemes detailed in [13] can be used for this model also.

4. Analysis

Since the output of the system is given by only one of the implication equations at a time, depending on the weights, the overall system stability is simply dependent on the stability of its subsystems. In other words, if all the subsystems (i.e the implication equations) are stable, the overall system is too.

The same argument goes for the controllability and observability of the overall system. If all the subsystems are controllable and observable, then the whole system is controllable and observable too.

If any of the subsystems is unstable, uncontrollable or unobservable, then the overall system is also unstable, uncontrollable or unobservable.

This property of this new model makes the analysis of the system and design of controllers for this system very convenient.

5. Controller Design

Since the stability of the subsystems guarantees the stability of the overall system, a feedforward or a feedback system can be designed using the derivations of section-3 so that each of the subsystems is stable with satisfactory dynamics.

A simple example of control design is given next.

Example Let the membership functions of fuzzy sets A and B be as shown in Fig.5

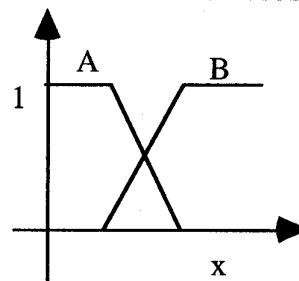


Fig. 5 Membership Functions

The fuzzy system to be controlled is given by

$$L^1 : \text{If } x(k) \text{ is A then } x(k+1) = 0.1x(k) - 0.05x(k-1) + 0.25u(k)$$

$$L^2 : \text{If } x(k) \text{ is B then } x(k+1) = 0.15x(k) - 0.05x(k-1) + 0.5u(k)$$

If $x(k) = [x(k-2) \ x(k-1) \ x(k)]^T$, we can write

$$L^1 : x(k+1) = A_1 x(k) + B_1 u(k)$$

$$L^2 : x(k+1) = A_2 x(k) + B_2 u(k)$$

where

$$A_1 = \begin{bmatrix} 0 & 1 & 0 \\ 0 & 0 & 1 \\ 0 & -0.05 & 0.25 \end{bmatrix}, B_1 = \begin{bmatrix} 0 \\ 0 \\ 0.1 \end{bmatrix},$$

$$A_2 = \begin{bmatrix} 0 & 1 & 0 \\ 0 & 0 & 1 \\ 0 & -0.05 & 0.15 \end{bmatrix}, B_2 = \begin{bmatrix} 0 \\ 0 \\ 0.5 \end{bmatrix}.$$

Notice that matrices $[B_1 A_1 B_1 A_1^2 B_1]$ and $[B_2 A_2 B_2 A_2^2 B_2]$ are full rank, hence [14] both the subsystems are controllable, which in turn makes the overall system controllable.

We could design our fuzzy control as

$$R^1 : \text{If } x(k) \text{ is A then } u(k) = 0.4x(k)$$

$$R^2 : \text{If } x(k) \text{ is B then } u(k) = 0.1x(k)$$

Using the feedback fuzzy connection technique developed in section-3, we can see that the controlled system is stable with same dynamics all the time given by

$$x(k+1) = 0.2x(k) - 0.05x(k-1).$$

If instead of L_2 we had

$$L^2 : \text{If } x(k) \text{ is B then}$$

$$x(k+1) = 0.15x(k) - 0.05x(k-1)$$

then the subsystem-2 would be uncontrollable but stable, so we would control only subsystem-1.

6. Conclusions

A new model for fuzzy systems based on "Takagi and Sugeno's fuzzy model" is developed, which retains all the maneuverability of the old model and renders the analysis of the system very easy and control design convenient. Using this model, concepts of stability, controllability, observability etc. can be analyzed for fuzzy systems, which makes the science of fuzzy control much more than just emulating human-like control.

Acknowledgements

This work was performed as part of the PATH Program of the University of California, and "Smart Highway" project under Virginia Dept. of Transportation, in cooperation with the

State of California, Business and Transportation Agency, Department of Transportation, and the United States Department of Transportation, Federal Highway Administration.

References

- [1] L. A. Zadeh, Fuzzy Sets, *Information Control*, **8**(3)(1965)338-353.
- [2] L. A. Zadeh, The Role of Fuzzy Logic in the Management of Uncertainty in Expert Systems, *Fuzzy Sets and Systems*, **11**(1985) 199-227.
- [3] L. A. Zadeh, The Concept of Linguistic Variable and its Application to Approximate Reasoning - I, II, III, *Information Sciences*, **8**(1975) 199-249, **8**(1975) 301-357, **9**(1975) 43-80.
- [4] E. H. Mamdani, Advances in the Linguistic Synthesis of Fuzzy Controls, *Int. J. Man-Machine Studies*, **8**(1976) 699-678.
- [5] E. H. Mamdani, J. J. Ostergaard, and E. Lembessis, Use of Fuzzy Logic for Implementing Rule-Based Control of Industrial Processes, Wang, P. P. and Chang, S. K., eds. *Advances in Fuzzy Sets Possibility Theory and Application*, New York: Plenum(1983).
- [6] W. J. M. Kickert and H. R. Van Nauta Lemke, Application of a Fuzzy Controller in a Warm Water Plant, *Automatica*, **12**(1976) 301-308.

- [7] P. Jain and A. Rege, Survey of U.S. Applications of Fuzzy Logic: Hardware, Controls, Expert Systems, Patent Recognition, and Others, Agogino Engineering, 130 Wilding Ln., Oakland, CA, 94618(1987).
- [8] M. Sugeno and G. T. Kang, Fuzzy Modeling and Control of Multilayer Incinerator, *Fuzzy sets and systems*, **18**(1986) 329-346.
- [9] M. Sugeno and G. T. Kang, Structure Identification of Fuzzy Model, *Fuzzy sets and systems*, **28**(1988) 15-33.
- [10] M. Sugeno and K. Tanake, Successive Identification of Fuzzy Model and its Applications to Prediction of Complex Systems, *Fuzzy sets and systems*, **42**(1991) 315-344.
- [11] T. Tagaki and M. Sugeno, Fuzzy Identification of Systems and its Application to Modeling and Control, *IEEE Trans. on Systems, Man and Cybernetics*, **15**(1)(1985) 116-132.
- [12] M. Togai and P. P. Wang, Analysis of a Fuzzy Dynamic System and Synthesis of its Controller, *Int. J. Man-Machine Studies*, **22**(1985) 355-363.
- [13] K. Tanaka and M. Sugeno, Stability Analysis and Design of Fuzzy Control Systems, *Fuzzy Sets and Systems*, **45**(1992) 135-156.
- [14] B.C. Kuo, *Digital Control Systems* (Hault-Saunders, 1980)